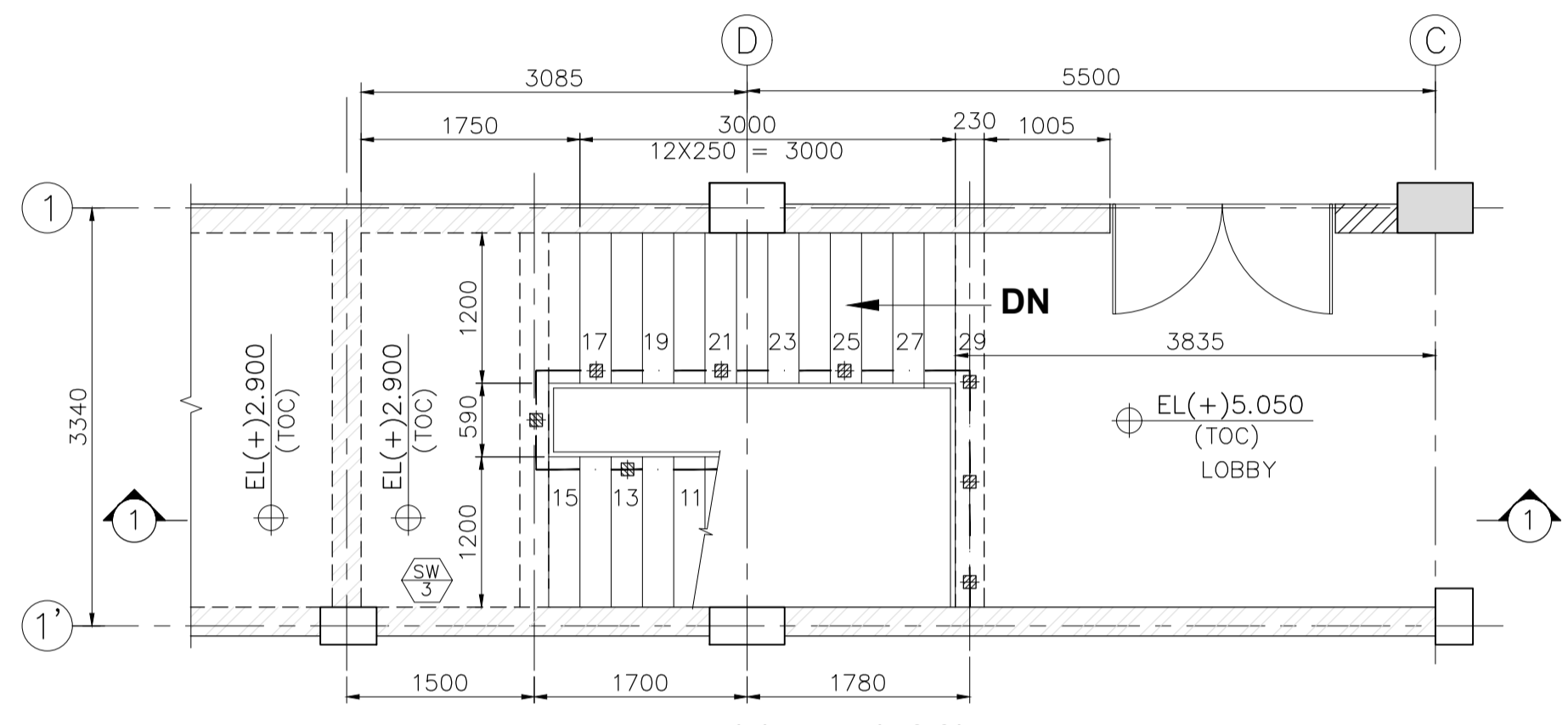
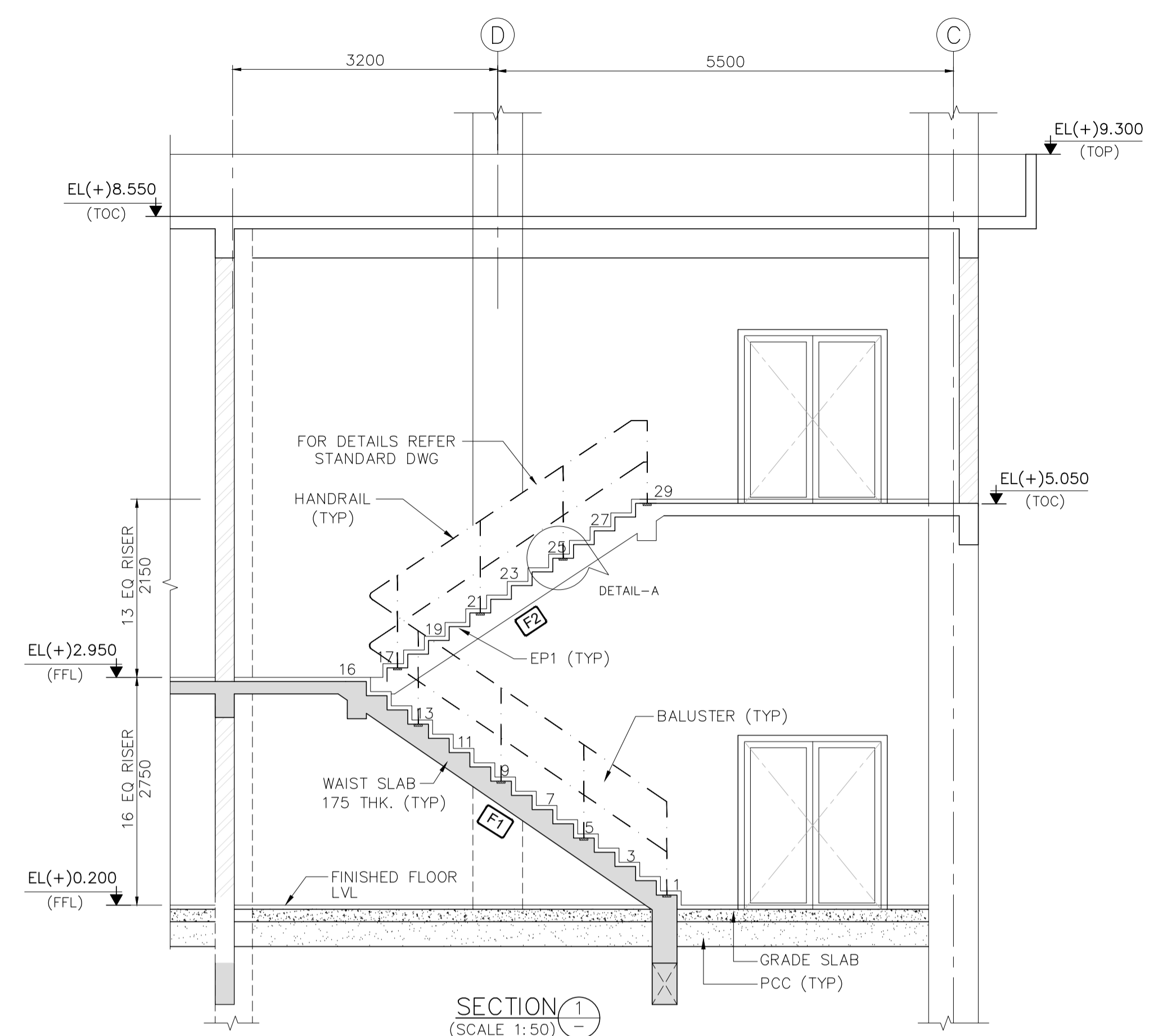


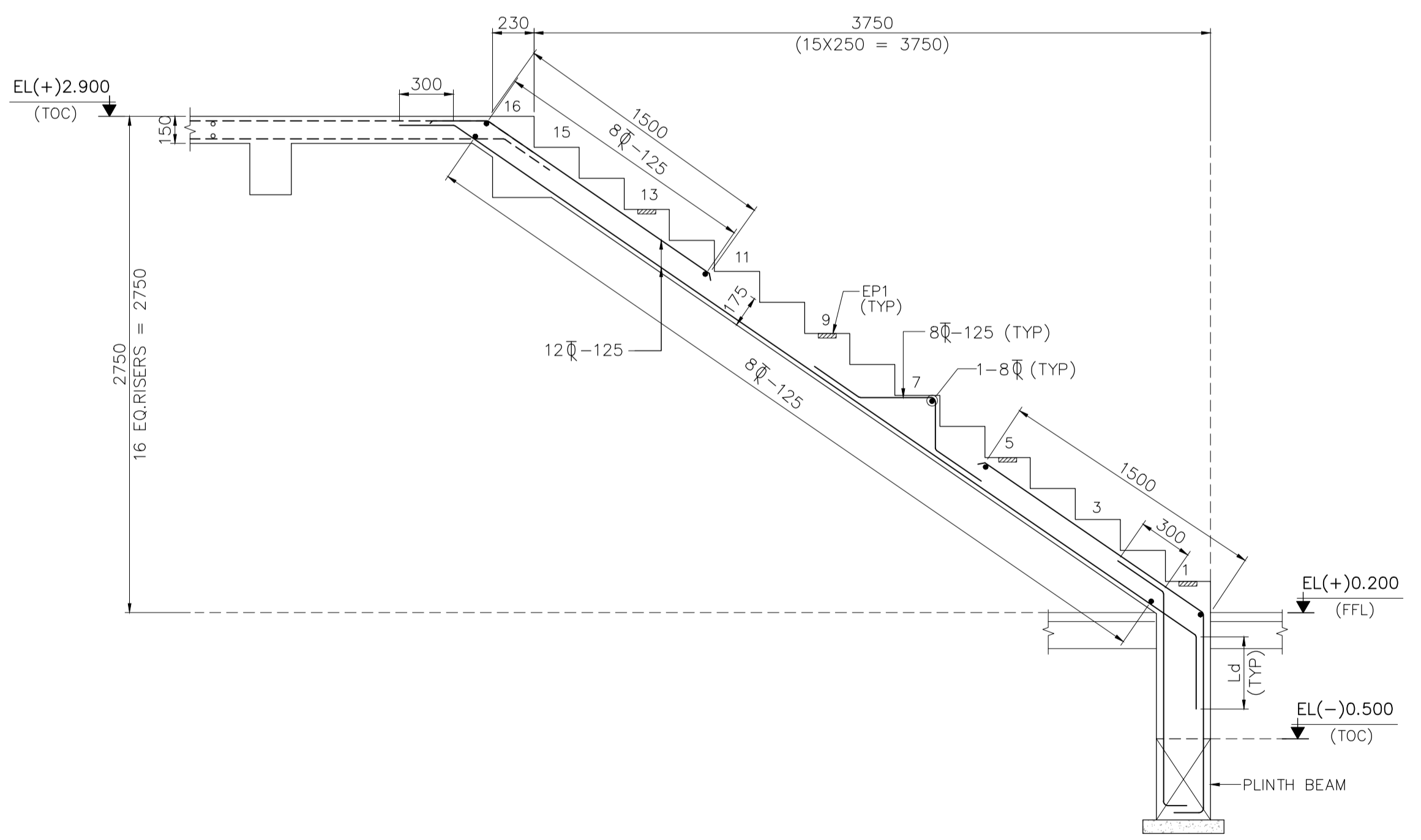
PLAN AT EL(+2.900 (TOC))
(SCALE 1:50)



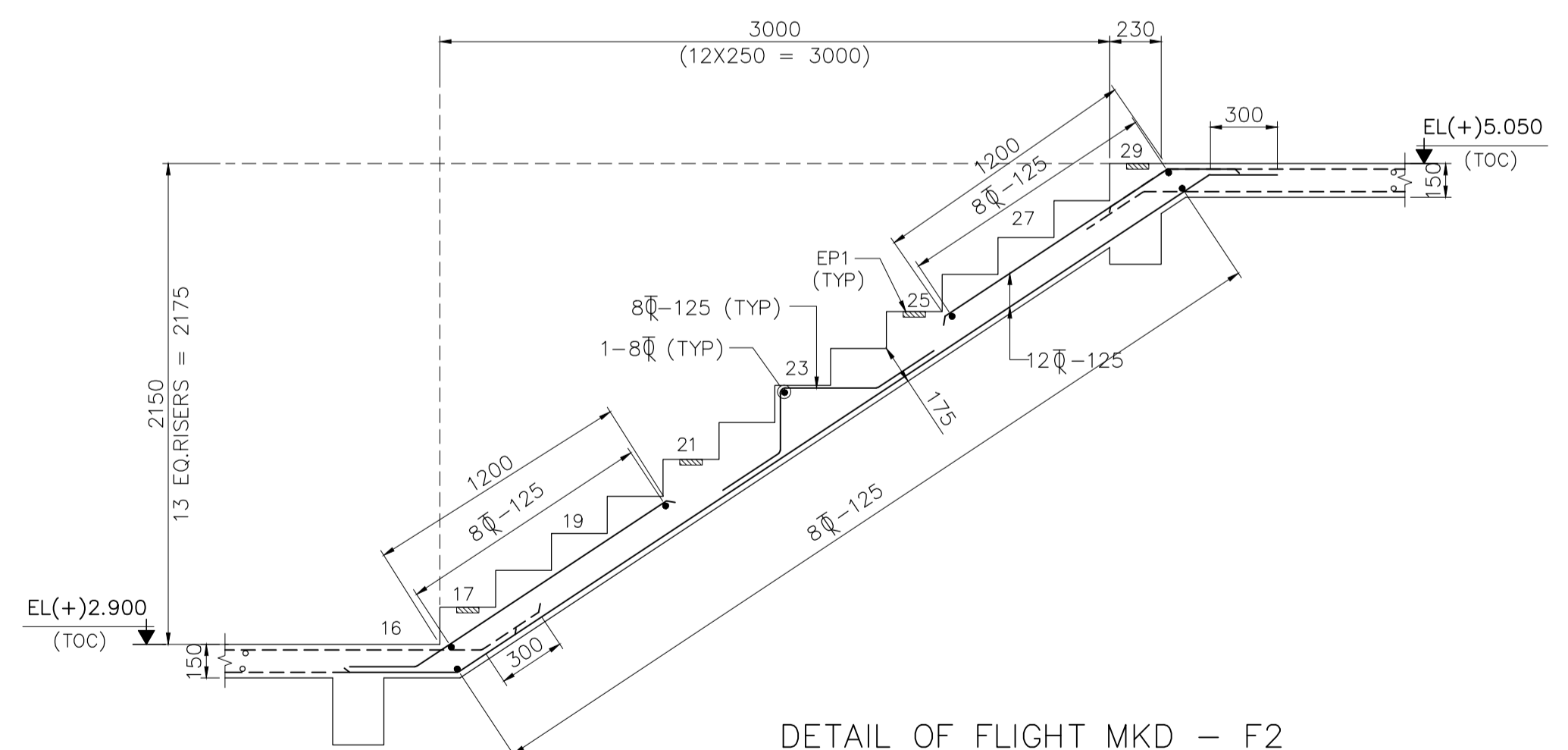
PLAN AT EL(+5.050 (TOC))
(SCALE 1:50)



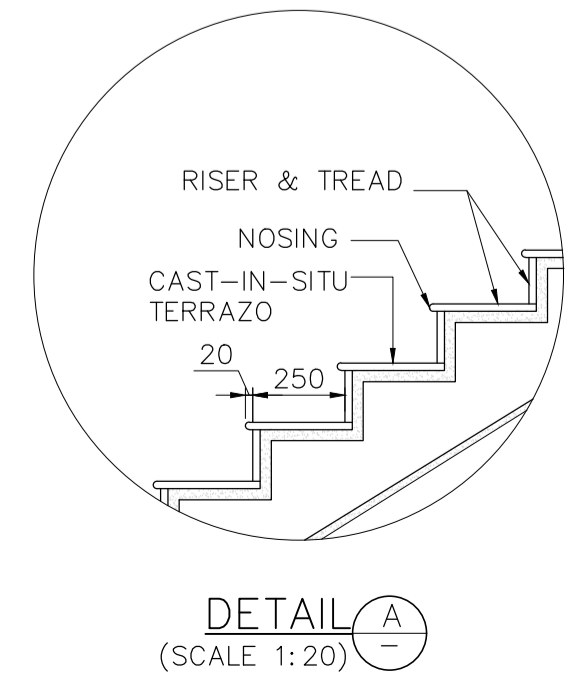
SECTION 1
(SCALE 1:50)



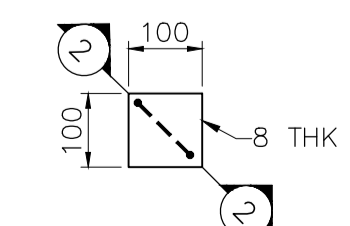
DETAIL OF FLIGHT MKD - F1
(SCALE 1:25)



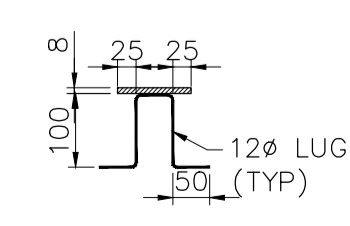
DETAIL OF FLIGHT MKD - F2
(SCALE 1:25)



DETAIL A
(SCALE 1:20)



DETAIL OF EP1
(SCALE 1:10)



SECTION 2
(SCALE 1:10)

BILL OF QUANTITIES (APPROX.)

SL.NO.	DESCRIPTION	UNIT	QUANTITY
1	PCC-1: 3: 6	Cu.M	20.00
2	RCC (M25)	Cu.M	195.00
3	REINFORCEMENT		
	8 Ø	MT	1.30
	12 Ø	MT	2.90
	TOTAL		17.30

KEY PLAN

NOTES

- THIS DRAWING SHALL BE READ IN CONJUNCTION WITH CONTRACT TERMS AND CONDITIONS, SPECIFICATION AND SCHEDULE OF ITEMS.
- ALL DIMENSIONS ARE IN MILLIMETRES AND LEVELS ARE IN METRES, UNO.
- ALL ELEVATIONS ARE REFERRED TO FINISHED FLOOR LEVEL OF POWER HOUSE BUILDING EL(±)0.000M. WHICH CORRESPONDS TO RL (+)224.500 MSL.
- GRADE OF CONCRETE SHALL BE M25 WITH 20mm DOWN GRADED AGGREGATES. MINIMUM CEMENT CONTENT 300 Kg/Cu.M
- REINFORCEMENT STEEL SHALL BE OF Fe500 GRADE, CONFORMING TO IS:1786.
- LAP LENGTH (Ld) FOR REINFORCEMENT SHALL BE 50 DIA. OF SMALLEST BAR BEING LAPPED.
- CLEAR COVER TO CONCRETE SHALL BE AS FOLLOWS:

ITEM	TOP	BOTTOM	SIDES
SLAB	15	15	15

LEGEND

- CL - CENTER LINE
- EL - ELEVATION LEVEL
- FFL - FINISHED FLOOR LEVEL
- TOC - TOP OF CONCRETE
- TYP - TYPICAL
- TOP - TOP OF PARAPET
- UNO - UNLESS NOTED OTHERWISE

REFERENCE DRAWINGS

REV. NO.	DATE	DESCRIPTION	DRAWN	CHECKED	APPROVED
0	-	ISSUED FOR APPROVAL	-	-	-

OWNER.

WWW.RCENGGSTUDIOS.COM