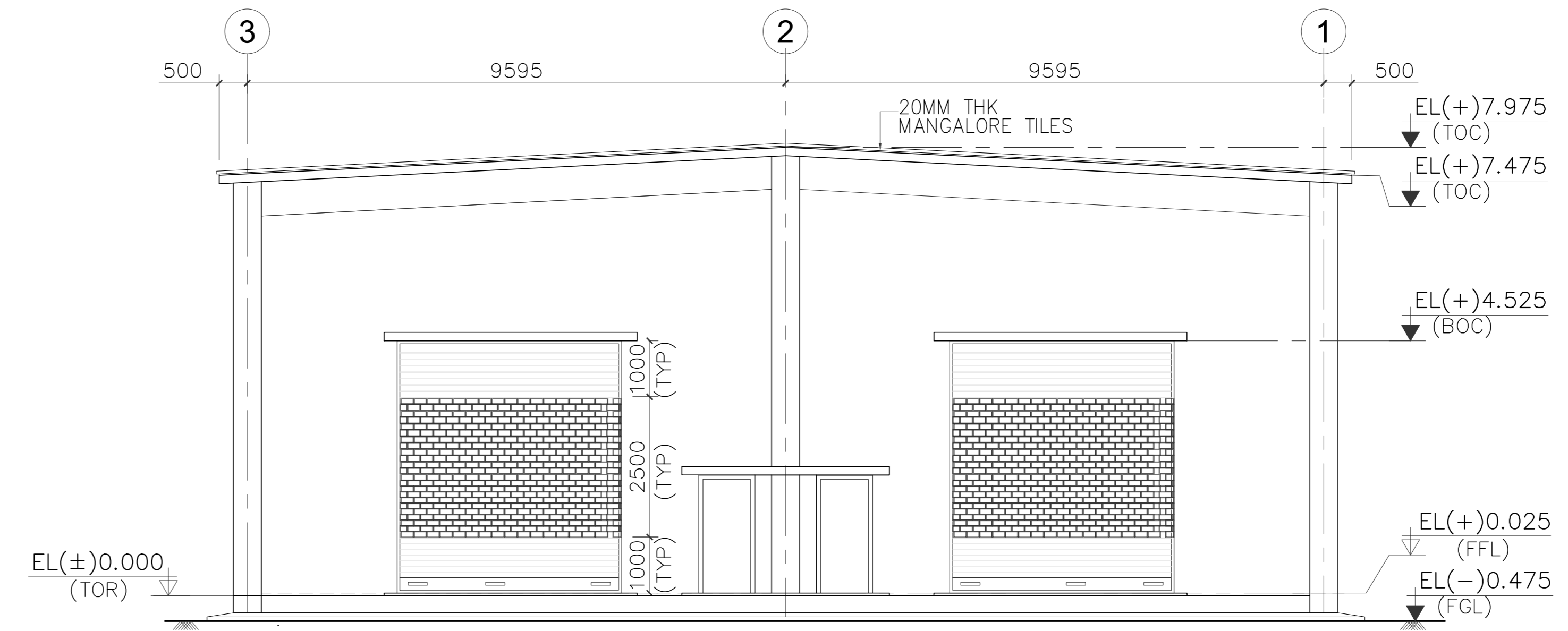
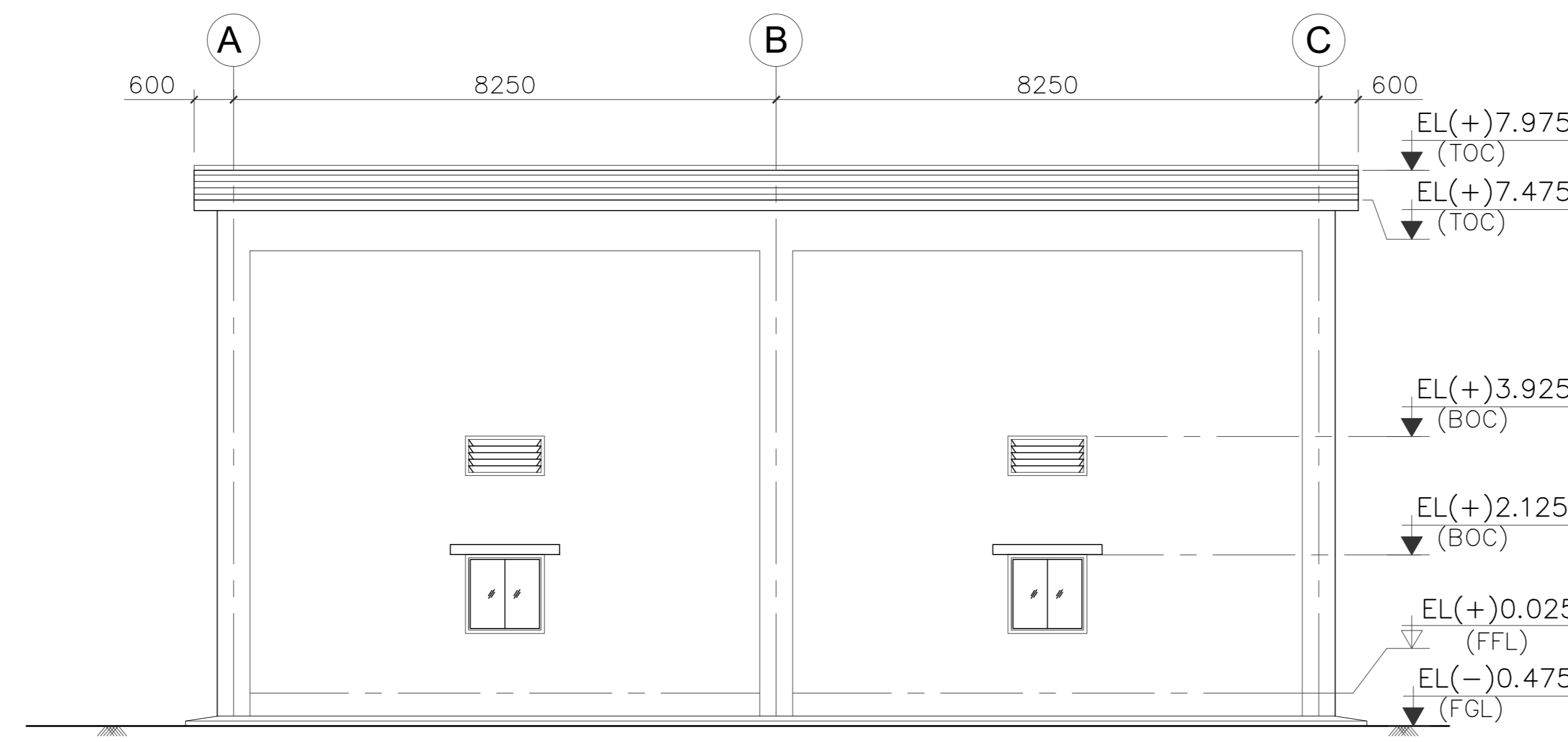


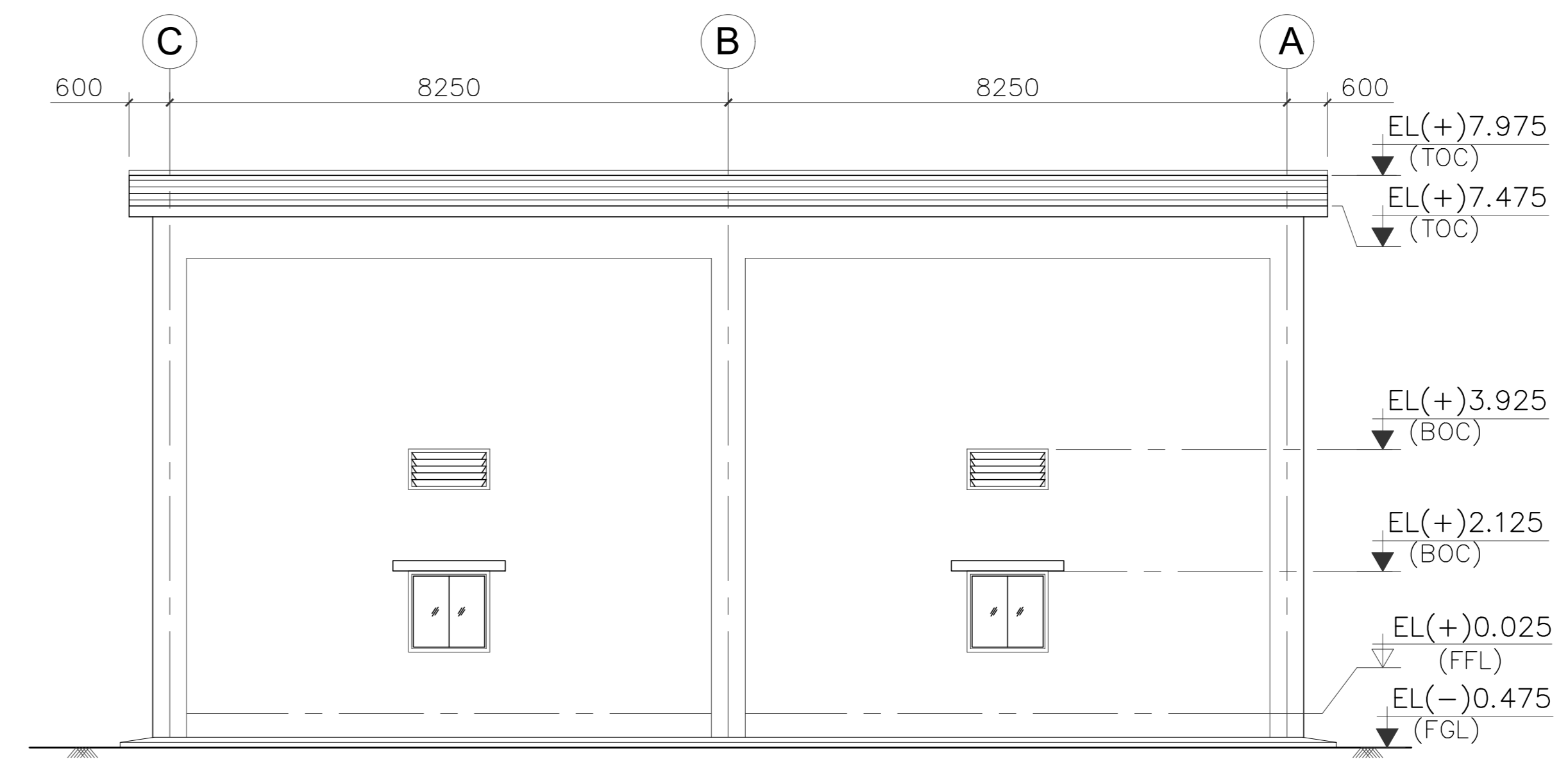
ELEVATION VIEW -A
(SCALE 1:100)



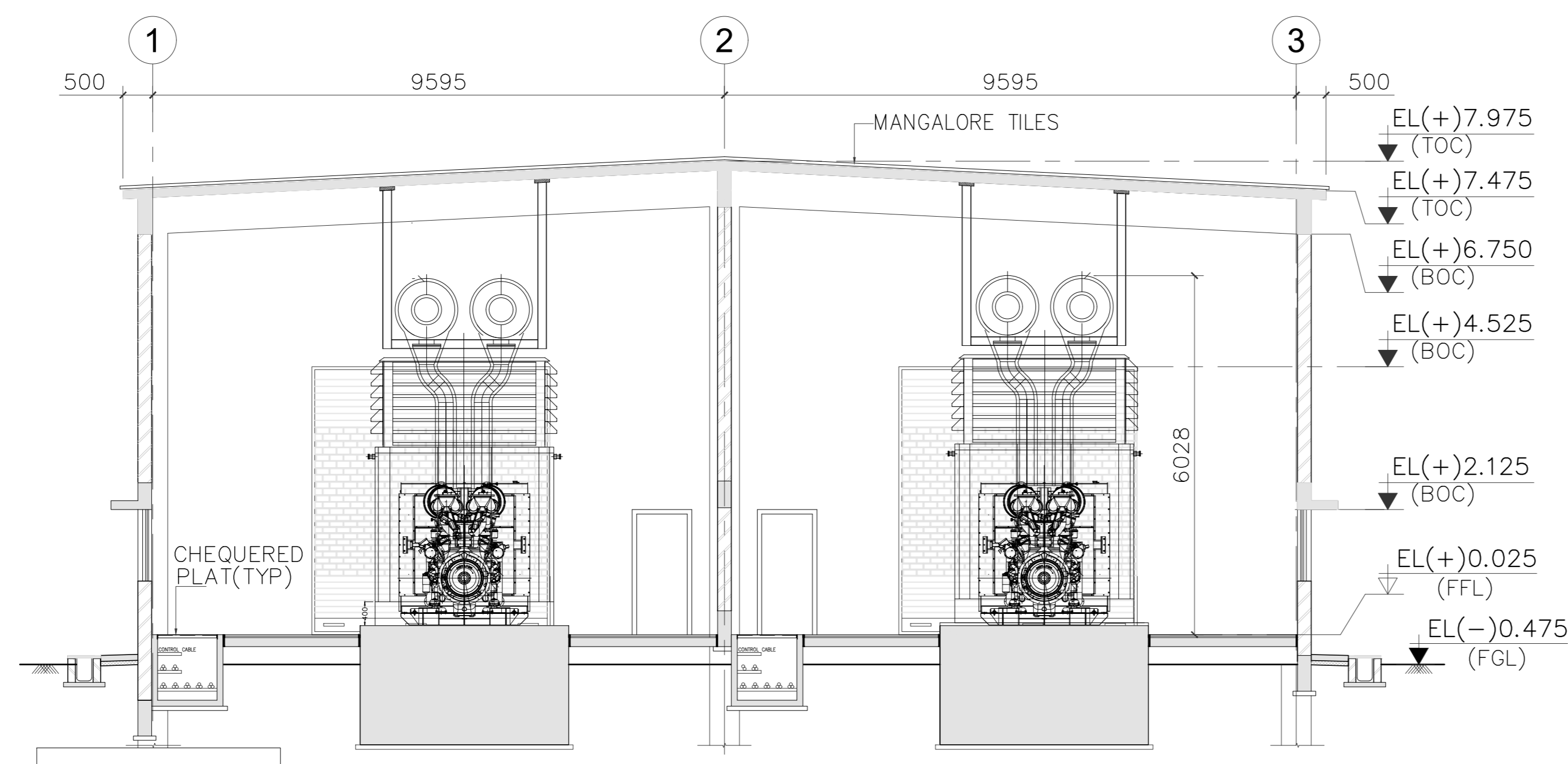
ELEVATION VIEW -B
(SCALE 1:100)



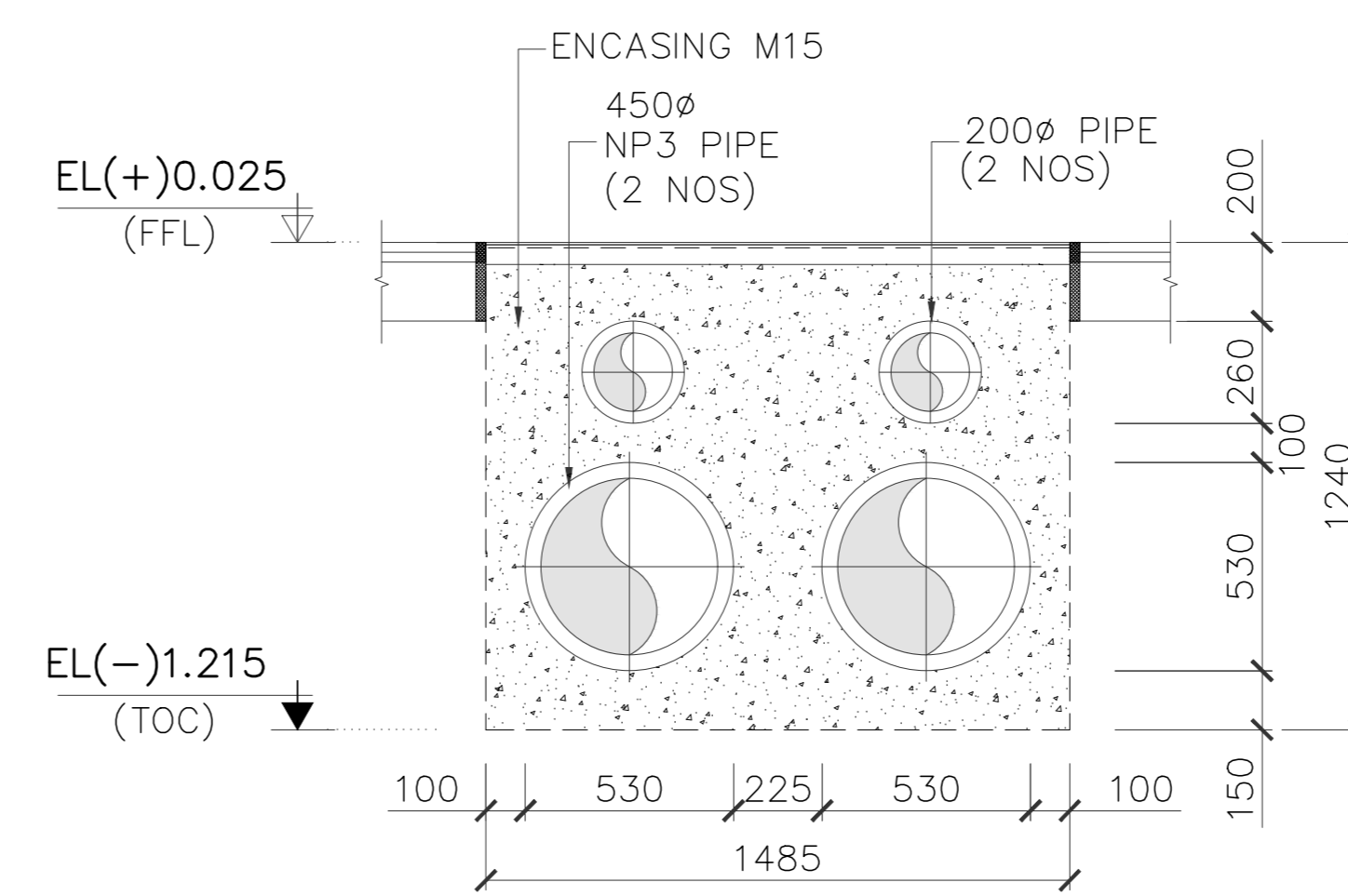
ELEVATION VIEW -C
(SCALE 1:100)



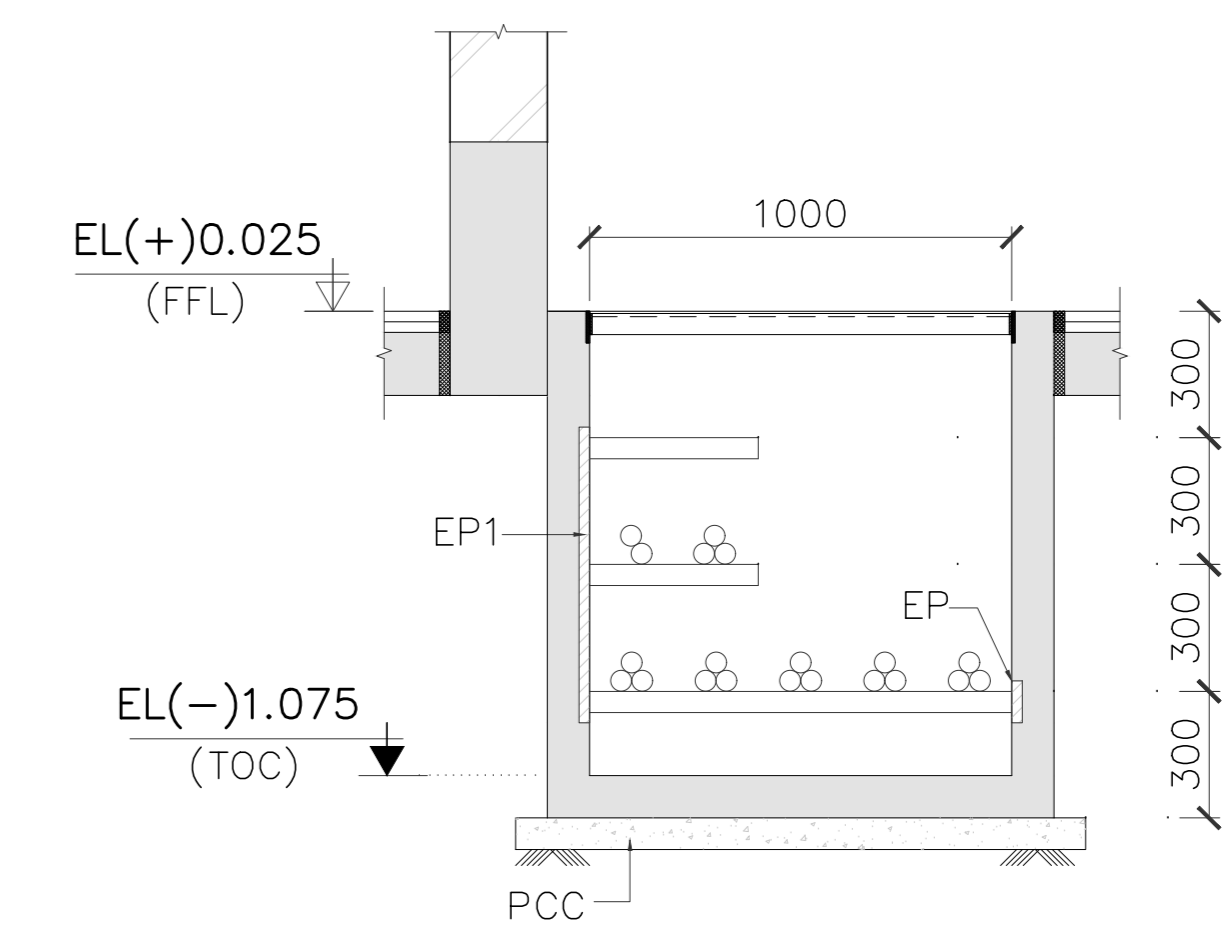
ELEVATION VIEW -D
(SCALE 1:100)



SECTION 1
(SCALE 1:100)



SECTION 2
(SCALE 1:25)



SECTION 3
(SCALE 1:25)

FOR EP DETAILS:
REFER DWG NO-5517-1-80-653
DG BUILDING -LAYOUT & DETAILS OF GRADE SLAB